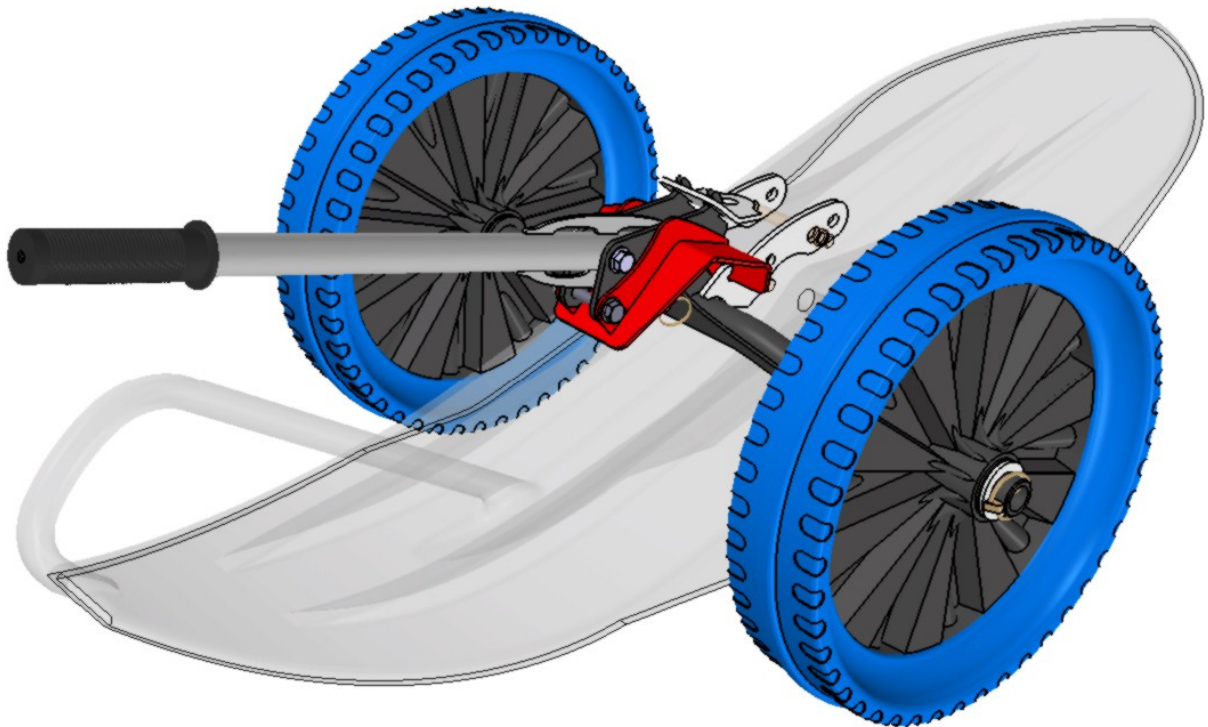




Dolly *NT*



Owner's manual

WARNING

For your safety, read, understand and follow all the safety precautions and the instructions in this guide and on all EXO Sled labels.

This document does not replace the host snowmobile's safety and maintenance information. Therefore, read and understand your snowmobile's operation manual. Ensure you follow all safety precautions and maintenance information.

Copyright 2024 EXO Sled

All information in this guide is based on the last EXO Sled product information at the time of publication. Because our products are constantly improving, some minor differences may result between your EXO Sled kit and the information presented in this guide. With this publication, we only want to give you some references. Consequently, no legal responsibility can be accepted for omissions or inaccurate information.

Many thanks for your trust in our product.

We are pleased to know you will enjoy the full potential of your EXO Sled dolly. This new cart is essential to effortlessly hold or move your EXO Sled in the garage or load it onto a trailer. The large 13-inch wheels ensure easy handling on any type of surface. The components are zinc plated for rust protection. Compatible with all brand of snowbike skis.

Don't forget to visit our website at www.exosled.com for the latest EXO Sled news.

We are a small company with big passions, and we are continuously implementing innovation in our kits to give you the best riding experience.

If you need more information, you are always welcome to [contact us](#) via our website.

Introduction

Owners and users must read carefully this guide.

Keep in mind the pictures and illustrations may be slightly different from your product without affecting the sense of the document.

Follow carefully the instructions to properly install your dolly hooks.

Safety

Prepare your sled

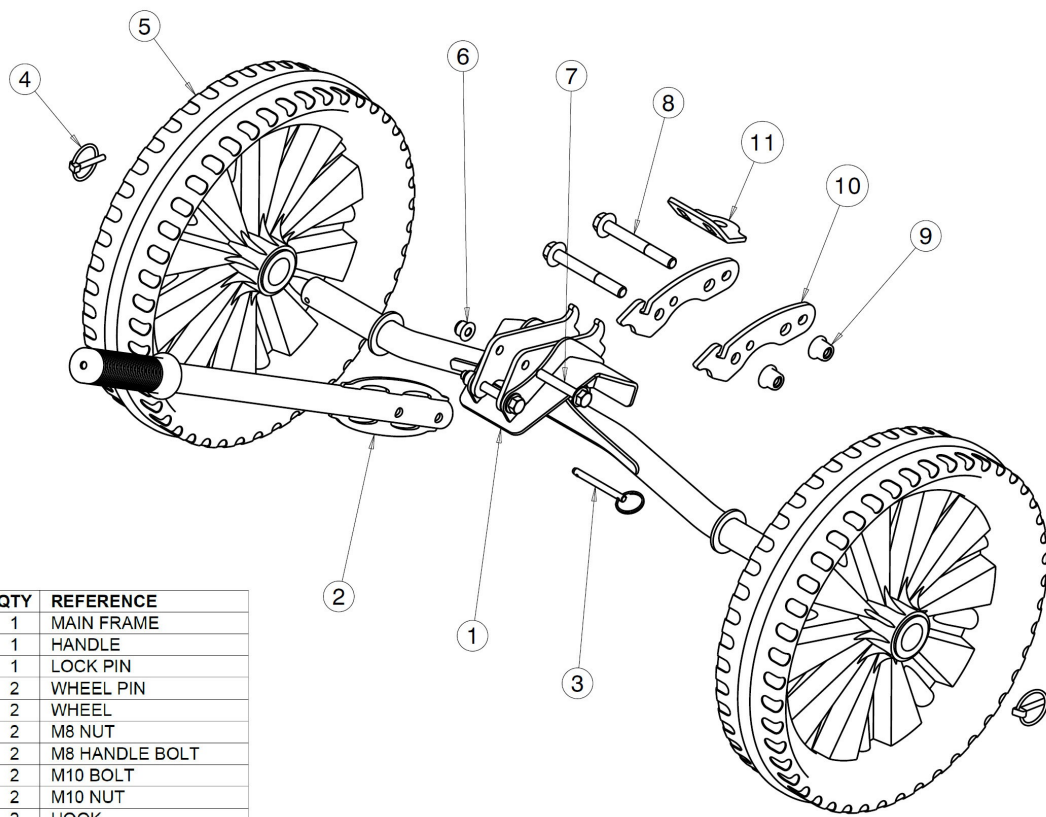
***See part list diagram for visual support**

- **Always wear the appropriate safety gear (Gloves, glasses, shoes, etc.).**
- **Prepare and secure the snowmobile before this installation.**
- **Lift the front end of the snowmobile.**
- **Remove the lower bolts holding the EXO Sled ski plates and your ski adaptor block.**
- **Use the supplied bolts (3x #10 for Yeti and 2x #11 for Timbersled) to install the hooks #9 outside of the ski plates. *The concave end must be toward the front of the ski.**
- **Install the handle #2 to the main frame #1 with 2 bolts #7 and 2 nuts #6**
- **Once all bolt are torqued, the dolly is ready to be used.**

Use the dolly

- **Temporarily remove the lock pin #12**
- **Align the oblong hole of the dolly main frame #1 around the EXO Sled spindle vertical nut.**
- **Push down the handle #2 until the red part of the main frame is well engaged in both hooks #9.**
- **Insert the lock pin #12 to secure the red part position.**
- **Be aware of the surrounding environment and always walk beside the vehicle.**
- **Never leave unattended the vehicle on dolly.**

Part List & Configuration



ITEM	QTY	REFERENCE
1	1	MAIN FRAME
2	1	HANDLE
3	1	LOCK PIN
4	2	WHEEL PIN
5	2	WHEEL
6	2	M8 NUT
7	2	M8 HANDLE BOLT
8	2	M10 BOLT
9	2	M10 NUT
10	2	HOOK
11	1	DOLLY RECEIVER